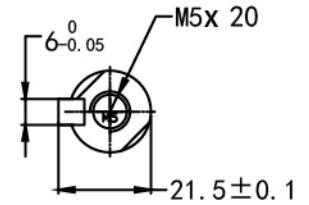
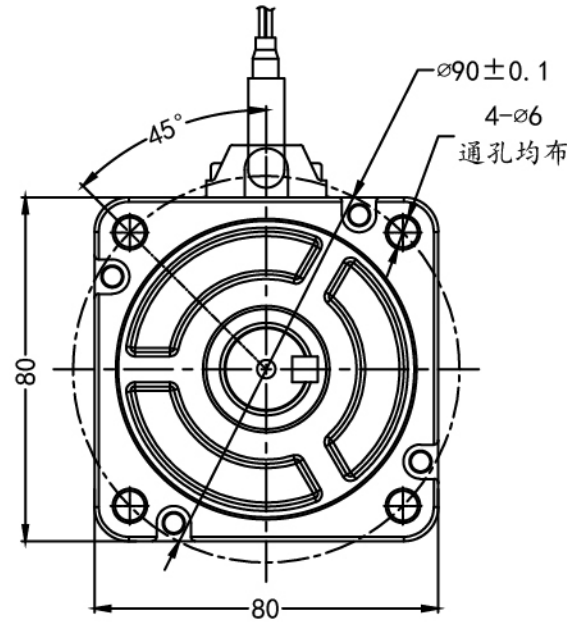
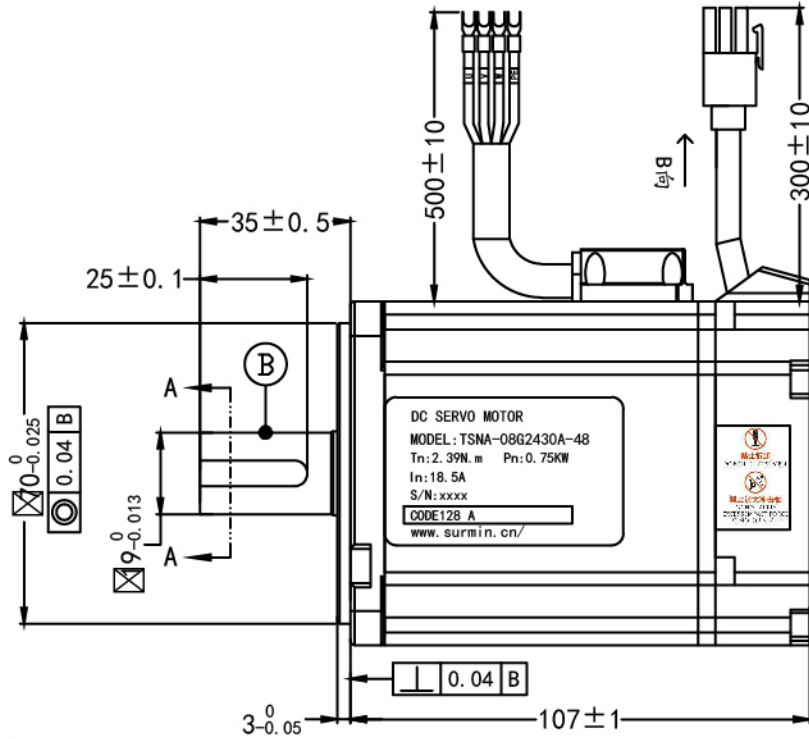


永磁直流伺服电动机规格书

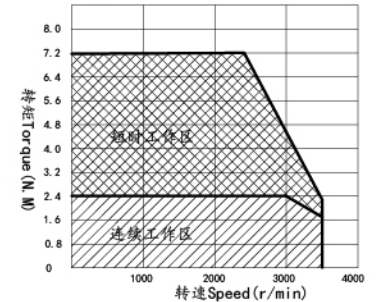
PERMANENT MAGNET DC SERVO MOTOR SPECIFICATION

| 版本 REV | 变更号 ECN NO | 变更内容 CONTENT CHANGED | 处数 NO. | 日期 DATE | 设计 DESIGN |
|-----------|---------------|-------------------------|-----------|------------|--------------|
| | | | | | |



SECTION A-A

转矩转速特性曲线
Torque speed characteristic curve



使用说明: Instructions

使用环境温度-20~40° C不结冰
Operating ambient temperature -20~40 ° C no ice
使用环境湿度20%~80%RH不结露
Operating environment humidity 20%~80%rh no condensation
1000m以下使用, 1000m以上请降额使用, 具体参照海拔降额曲线
For use below 1000m, please reduce the rating for use above 1000m. Refer to the altitude derating curve for details

电源线端子拉脱力<200N
Pull off force of power line terminal is less than or equal to 200N
编码器线端子拉脱力<13N
Pull off force of encoder line terminal is less than or equal to 13N

参数列表 parameters List

| | | | | | | | | | | | | | | | | | |
|---------------------------------|------|---|-----------------|---|-----------|----------|-------------|-------------|--|-----------|---|---------------------|------------|------------------|-------------------|--------------------|--|
| 额定电压 Rated Voltage (V) | 48 | 线电阻 Line-Line Resistance (Ω) | 0.09±10% (20°C) | 17位多圈磁编接顺序 17-bit multi-turn magnetic encoder wiring sequence | | | | | | | 电机绕组接线顺序 Motor winding wiring sequence | | | | | | |
| 额定功率 Rated Power (W) | 750 | 线电感 Line-Line Inductance (mH) | 0.4±20% (20°C) | 序号 Serial number | 1 | 2 | 3 | 4 | 5 | 6 | 7 | 序号 Serial number | | | | | |
| 额定电流 Rated Current (A) | 18.5 | 转动惯量 Rotor inertia (×10 ⁻⁴ kg/m ²) | 1.71 | 颜色 Color | 屏蔽 | 红 Red | 白 White | 黄 Yellow | 绿 Green | 蓝 Blue | 黑 Black | 颜色 Color | 红 Red | 白 White | 黑 Black | 黄绿 Yellow/Green | |
| 峰值电流 Peak Current (A) | 55.5 | 绝缘等级 Insulation Class | F | 定义 Definition | PE | VCC | GND | SD+ | SD- | BAT+ | BAT- | 定义 Definition | U | V | W | PE | |
| 额定转速 Rated Speed (rpm) | 3000 | 绝缘电阻 Insulation resistance | DC500V ≥10MΩ | CTQ SIGN: Customer Process Law 材料符合ROHS要求 All Material Are To Be Rohs Compliant | | | | | | | 骁鸣智能科技(广州)有限公司 | | | | | | |
| 最高转速 Peak Speed (rpm) | 3500 | 防护等级 Protection class | IP65 | NAMES | SIGNATURE | | DATE | | Unspecified tolerance | | 视角 FIRST ANGLE METHOD | 比例 SCALE | 单位 UNIT | 变更标识 ECN SIGN | 名称 TITLE | TSNA-08G2430A-48 | |
| 额定转矩 Rated Torque (N.M) | 2.39 | 允许最大径向负载 Maximum allowable radial load (N) | 390 | 设计 DESIGN | | | 2022 7.4 | | 常规公差: Tolerances 角度 Angles ±0.1° 倒角 Chamfer ±0.3 | | | 1:1 | mm | * | 图号 DWG. NO | / | |
| 峰值转矩 Peak Torque (N.M) | 7.17 | 允许最大轴向负载 Maximum allowable axial load (N) | 140 | 标准化 STANDARD | | | | | Unit: mm GB/T1804-M ISO2768-1 Class M | | 件号 PART NUMBER | 1 | 版本 REV | A | 表单编号 Form Code | | |
| 反电势 Voltage Constant (V/Krpm) | 8.5 | 重量 Weight (kg) | 2.27 | 审核 CHECK | | | | | | | | | | | | | |
| 力矩系数 Torque Coefficient (N.M/A) | 0.13 | | | | | | | | | | | | | | | | |

塑壳: AMP172169-1
端子: 170359-1